



Air for life

Technical Data Sheet

Flair 400

English



Contents

| | |
|---|----|
| 1 Delivery. | 3 |
| 1.1 Scope of delivery. | 3 |
| 2 Version. | 4 |
| 2.1 Technical information | 4 |
| 2.2 Connections and dimensions. | 5 |
| 2.3 Exploded view of appliance. | 7 |
| 3 Service. | 8 |
| 3.1 Exploded view. | 8 |
| 3.2 Service artikelen. | 9 |
| 4 Conformity declaration. | 11 |
| 5 ERP values | 12 |
| 6 Recycling. | 14 |

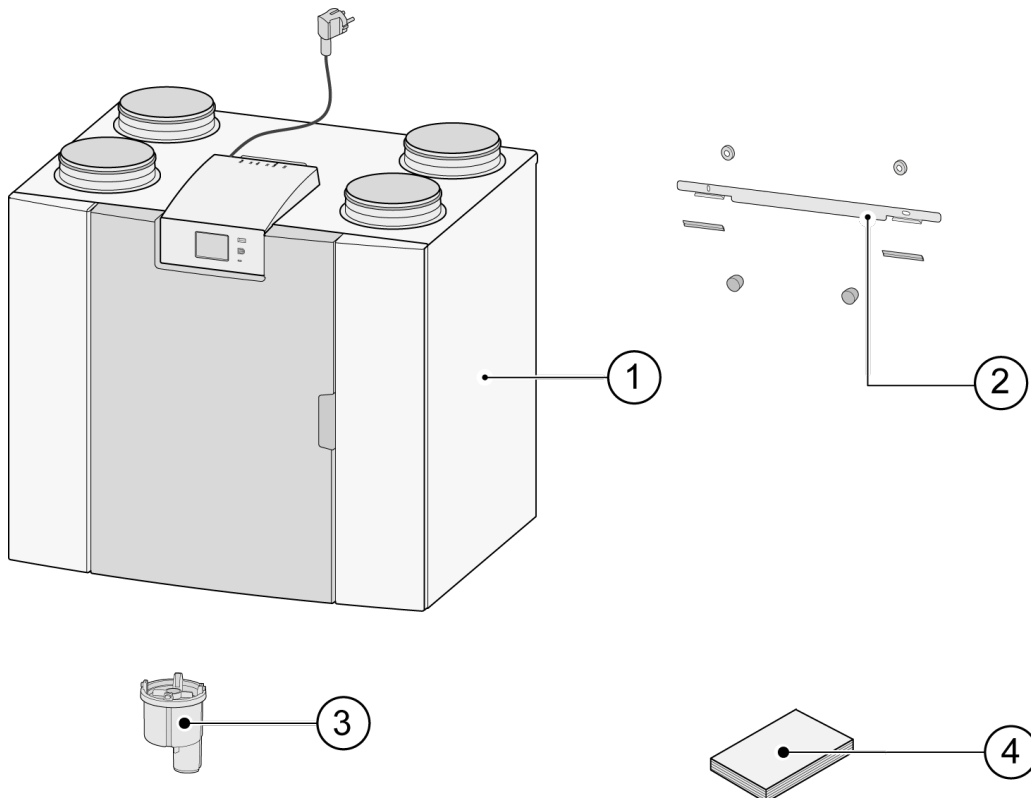
1 Delivery

1.1 Scope of delivery

Before installation of the heat recovery appliance is started, check that it has been supplied in complete and undamaged condition.

The delivery size of the heat recovery appliance type Flair consists of the following components:

1. Heat recovery appliance
2. Wall mounting bracket consisting of:
 - 1x mounting bracket
 - 2x protective caps
 - 2x rubber strip
 - 2x rubber rings
3. Siphon
4. Documentation set consisting of:
 - 1x installation instructions
 - 1x occupant's instructions



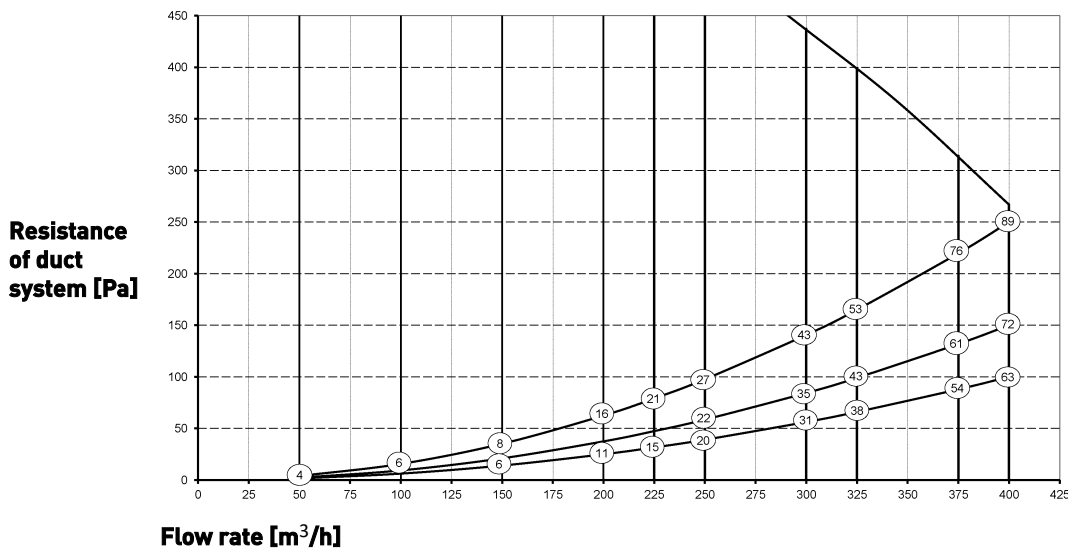
2 Version

2.1 Technical information

| Flair 400 | | | | | | | | | | |
|--|---|-------|-------|-------|-------|-------|-------|-------|-------|-------|
| Supply voltage [V/Hz] | 230V/50Hz | | | | | | | | | |
| Dimensions (w x h x d) [mm] | 750 x 650 x 560 | | | | | | | | | |
| Duct diameter [mm] | ø180 | | | | | | | | | |
| Ext. diameter condensate discharge [mm] | ø32 | | | | | | | | | |
| Weight [kg] | 38.5 | | | | | | | | | |
| Filter class | ISO Coarse 60% (ISO ePM1.0 50% for the air supply optional) | | | | | | | | | |
| Fan setting (factory setting) | 0 | 1 | | 2 | | 3 | | max | | |
| Factory setting [m³/h] | 50 | 100 | | 200 | | 300 | | 400 | | |
| Permissible resistance of duct system [Pa] | 2 | 4 | 6 | 16 | 25 | 63 | 56 | 141 | 100 | 250 |
| Rated power (excl. preheater) [W] | 7.6 | 7.8 | 10.3 | 11.5 | 23.0 | 31.4 | 62.5 | 87.0 | 126.6 | 177.9 |
| Rated current (excl. preheater) [A] | 0.12 | 0.12 | 0.15 | 0.16 | 0.25 | 0.33 | 0.58 | 0.77 | 1.01 | 1.38 |
| Max. rated current (incl. preheater switched on) [A] | 6 | | | | | | | | | |
| Rated power preheater [W] | 1000 | | | | | | | | | |
| Cos φ | 0.270 | 0.272 | 0.300 | 0.310 | 0.369 | 0.410 | 0.470 | 0.493 | 0.545 | 0.560 |
| Sound power | | | | | | | | | | |
| Ventilation capacity [m³/h] | | | | | 150 | 250 | 350 | 400 | | |
| Sound power level Lw(A) | Static pressure [Pa] | | | | 25 | 50 | 100 | 100 | | |
| | Casing radiation [dB(A)] | | | | 37 | 43,5 | 52 | 55 | | |
| | Duct 'From dwelling' [dB(A)] | | | | 43,5 | 46,5 | 51 | 61 | | |
| | Duct 'To dwelling' [dB(A)] | | | | 50 | 58 | 69,5 | 71 | | |

*) Duct noise including end correction

In practice the value may differ by 1dB(A) through measurement tolerances.

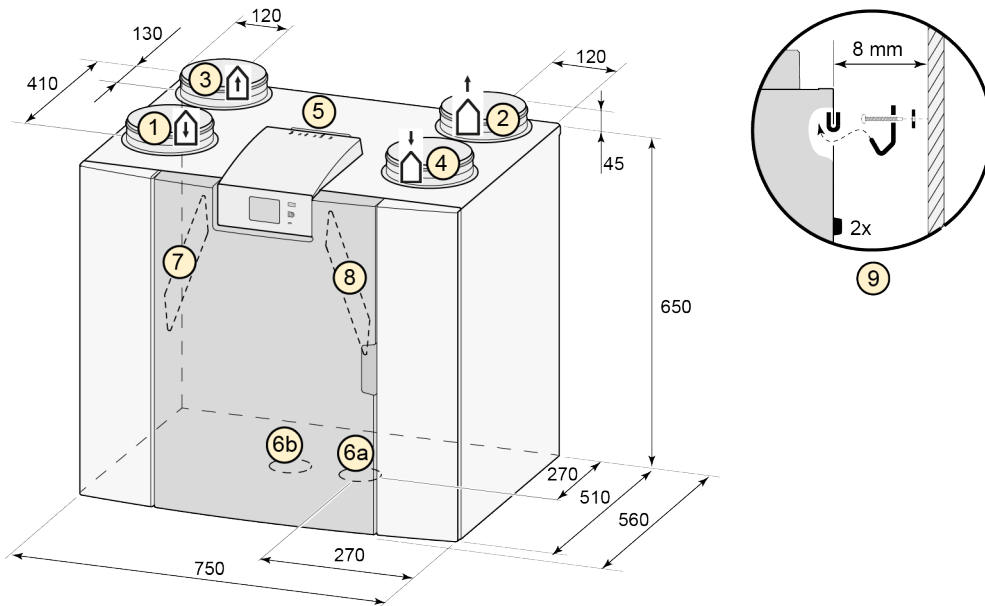


Note:
The stated value in the circle is the capacity (in Watt) per fan.

2.2 Connections and dimensions

The Flair appliance is available in a left-hand and right-hand version. With a left-hand version the “warm” connections (from dwelling 3 and to dwelling 1) are on the left-hand side of the appliance; the sealing cap is then fitted in the right-hand opening at the bottom of the appliance. With a right-hand version the “warm” connections (1 & 3) are on the right-hand side of the appliance.

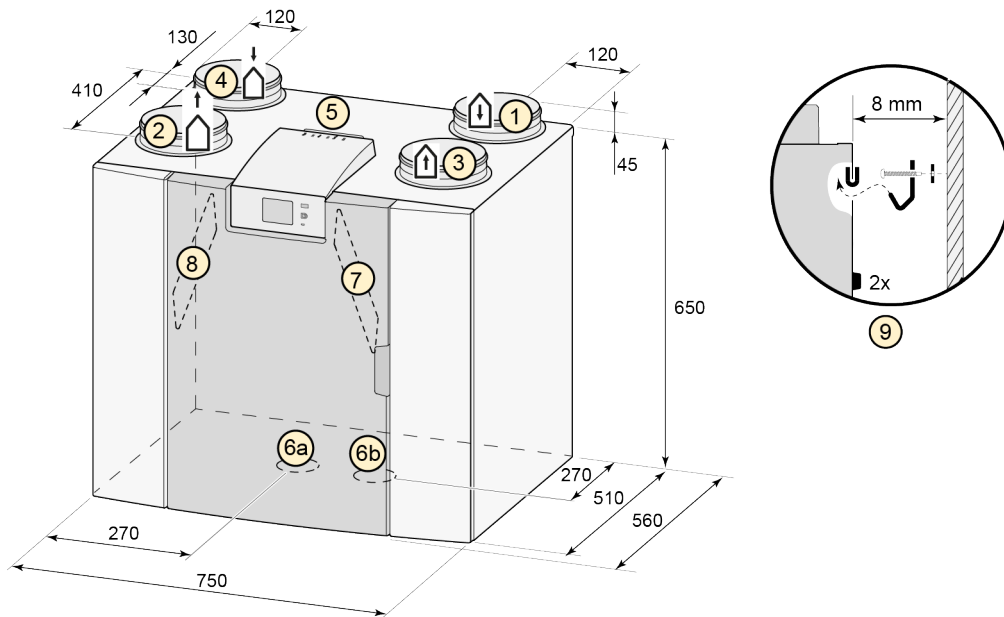
Left-hand version



All dimensions in millimeters. Diameter of all collars is 180 mm

| | | |
|-----------|--|--|
| 1 | Supply air | |
| 2 | Exhaust air | |
| 3 | Extract | |
| 4 | Outdoor air | |
| 5 | Electrical connections | |
| 6a | Siphon connection | |
| 6b | Sealing cap unused condensate discharge connection; do not remove! | |
| 7 | Extract air filter | |
| 8 | Supply air filter | |
| 9 | Mounting bracket | |

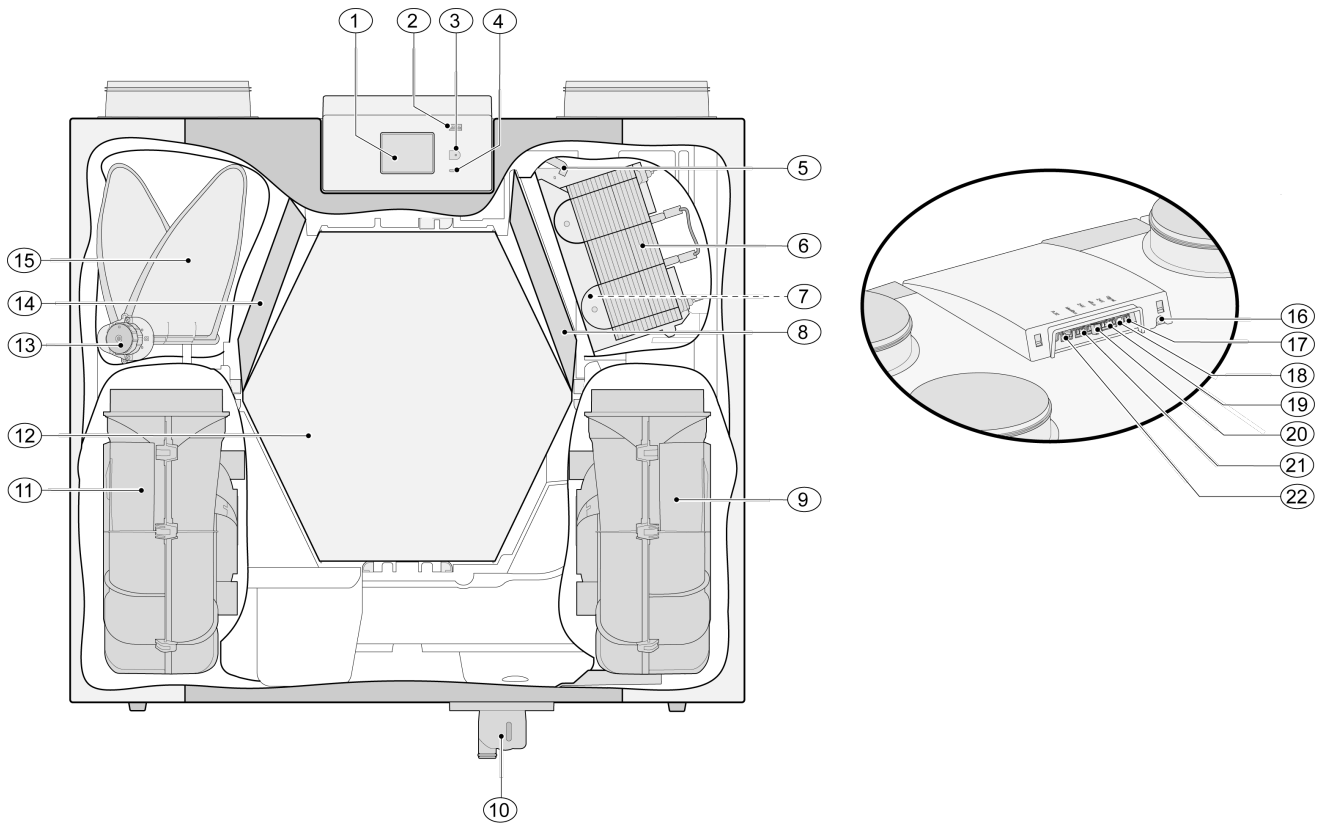
Right-hand version



All dimensions in millimeters. Diameter of all collars is 180 mm

| | | |
|-----------|--|--|
| 1 | Supply air | |
| 2 | Exhaust air | |
| 3 | Extract | |
| 4 | Outdoor air | |
| 5 | Electrical connections | |
| 6a | Siphon connection | |
| 6b | Sealing cap unused condensate discharge connection; do not remove! | |
| 7 | Extract air filter | |
| 8 | Supply air filter | |
| 9 | Mounting bracket | |

2.3 Exploded view of appliance



The appliance shown above is a left-hand version: in the case of a right-hand version, the connector of the preheater, bypass valve and the siphon connector are installed in mirror image!

| | | | |
|----|-------------------------------|----|--------------------------------------|
| 1 | Touchscreen | 12 | Heat exchanger |
| 2 | USB connector (X13) | 13 | Motor bypass valve |
| 3 | Service connector | 14 | Exhaust air filter |
| 4 | LED indicator | 15 | Bypass valve |
| 5 | Overheat protection preheater | 16 | Power cable 230 volt |
| 6 | Preheater | 17 | Signal output (X19) |
| 7 | Temperature sensor | 18 | 24 volt connector (X18) |
| 8 | Supply filter | 19 | eBus connector (X17) |
| 9 | Exhaust fan | 20 | 24 volt connector (X16) |
| 10 | Siphon | 21 | Modbus/ internal bus connector (X15) |
| 11 | Supply fan | 22 | Multiple switch connector (X14) |

3 Service

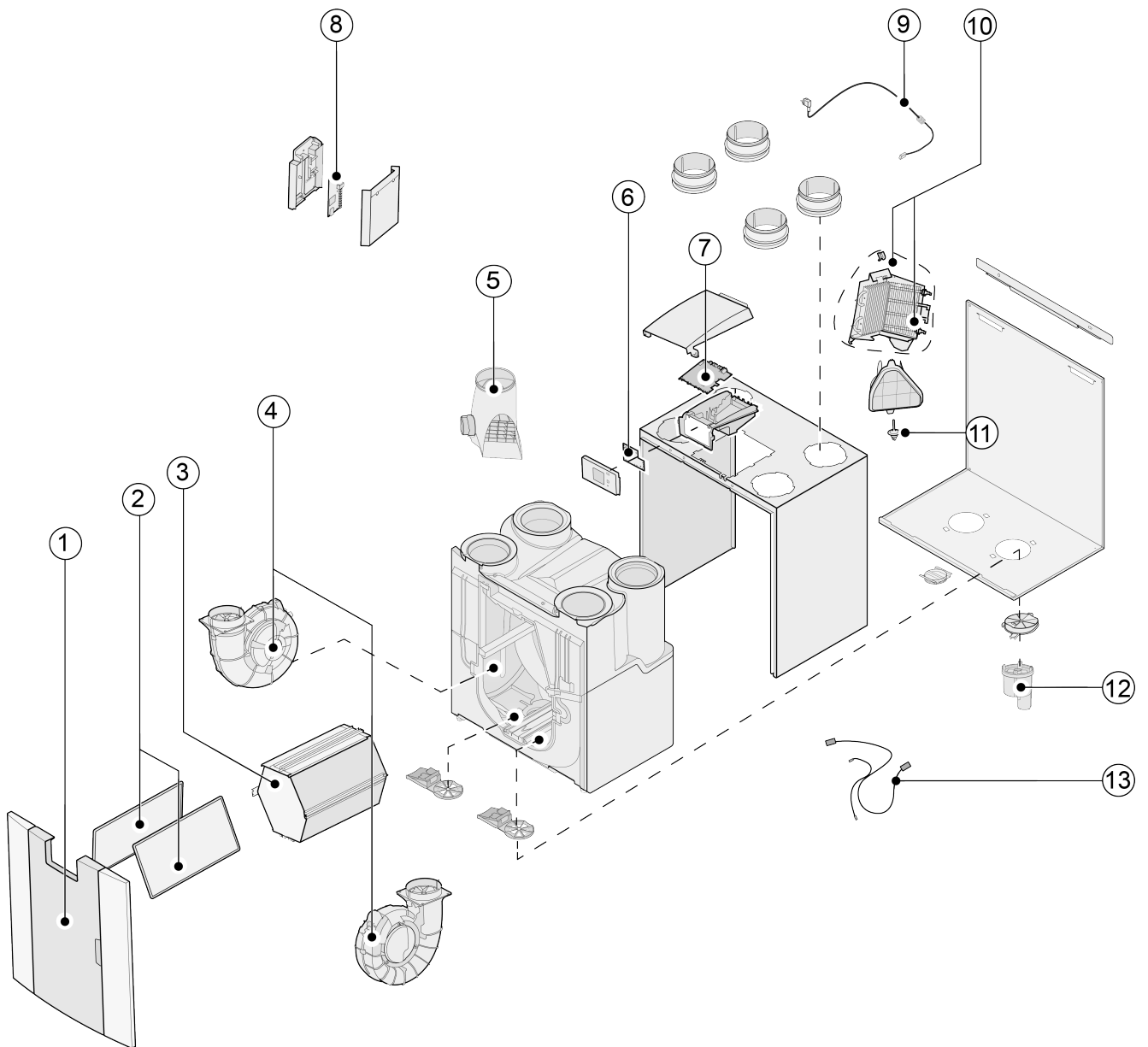
3.1 Exploded view

When ordering parts, in addition to the article code number (see exploded view), please state the heat recovery appliance type, the serial number, the year of production and the name of the part:

N.B.: Appliance type, serial number and year of production are stated on the identification plate behind the plastic front panel on the appliance.

| Example | |
|--------------------|-------------|
| Appliance type | Flair 400 |
| Serial number | 43100022201 |
| Year of production | 2023 |
| Part | Fan |
| Article code | 532770 |
| Quantity | 1 |

3.2 Service artikelen



| No. | Article description | Article code |
|-----|---|--------------|
| 1 | Front panel complete | 532804 |
| 2 | Filters (2 items) ISO Coarse 60% | 532811 |
| 3 | Heat exchanger | 532754 |
| 4 | Fan (1 item) | 532770 |
| 5 | Bypass valve with motor complete | 532760 |
| 6 | Display pcb UBP-2 | 532752 |
| 7 | Appliances manufactured before 01-01-2023 : Basic pcb UWA2-B + display | 532750 |
| | Appliances manufactured after 01-01-2023 : Basic pcb UWA2-B | 532966 |
| 8 | Plus pcb UWA2-E (only applicable with Plus version) | 532751 |
| 9 | Mains plug and cable 230 V * | 532756 |
| 10 | Internal preheater incl. maximum security | 532761 |
| 11 | Temperature sensor NTC 10K | 531775 |
| 12 | Condensation discharge | 532762 |
| 13 | Cable set | 532767 |

* The power cable is fitted with a circuit board connector. When replacing it, always order a replacement mains cable from Brink.

To prevent dangerous situations, a damaged mains connection can only be replaced by a qualified expert.

4 Conformity declaration

This declaration of conformity is issued under the sole responsibility of the manufacturer.

Manufacturer: **Brink Climate Systems B.V.**
Address: **P.O. Box 11**
NL-7950 AA, Staphorst, The Netherlands
Product: **Flair 400**

The product described above complies with the following directives:

- ◆ 2014/35/EU (OJEU L 96/357; 29-03-2014)
- ◆ 2014/30/EU (OJEU L 96/79; 29-03-2014)
- ◆ 2009/125/EU (OJEU L 285/10; 31-10-2009)
- ◆ 2017/1369/EU (OJEU L 198/1; 28-07-2017)
- ◆ RoHS 2011/65/EU (OJEU L 174/88; 01-07-2011)

The product described above has been tested according to the following standards:

- ◆ EN IEC 55014-1: 2021
- ◆ EN IEC 55014-2: 2021
- ◆ EN IEC 61000-3-2: 2019 + A1:2021
- ◆ EN 61000-3-3: 2013 + A1:2019 + A2:2021
- ◆ EN 60335-1: 2012 + AC:2014 + A11:2014 + A13:2017 + A1:2019 + A2:2019 + A14:2019 + A15:2021
- ◆ EN 60335-2-40: 2003 + A11:2004 + A12:2005 + AC:2006 + A1:2006 + A2:2009 + AC:2010 + A13:2012
- ◆ EN 62233: 2008 + AC:2008

Staphorst, 07-06-2023



A. Hans
Technical Director

5 ERP values

| Technical information sheet Flair 400 in accordance with Ecodesign (ErP), no. 1254/2014 (Annex IV) | | | | | |
|--|---|--|-----------|---|-----------------------------------|
| Manufacturer: | | Brink Climate Systems B.V. | | | |
| Model: | | Flair 400 | | | |
| Climate zone | Type of control | SEC Value in kWh/m ² /a | SEC Class | Annual electricity consumption (AEC) in kWh | Annual heating saved (AHS) in kWh |
| Average | manual | -40,68 | A | 258 | 4646 |
| | clock control | -41,33 | A | 237 | 4658 |
| | 1x sensor (RV/CO ₂ /VOC) | -42,54 | A+ | 199 | 4684 |
| | 2 or more sensors (RV/CO ₂ /VOC) | -44,65 | A+ | 135 | 4735 |
| Cold | manual | -79,74 | A+ | 795 | 9088 |
| | clock control | -80,50 | A+ | 774 | 9113 |
| | 1x sensor (RV/CO ₂ /VOC) | -81,96 | A+ | 736 | 9163 |
| | 2 or more sensors (RV/CO ₂ /VOC) | -84,56 | A+ | 672 | 9263 |
| Hot | manual | -15,68 | E | 213 | 2101 |
| | clock control | -16,26 | E | 192 | 2106 |
| | 1x sensor (RV/CO ₂ /VOC) | -17,33 | E | 154 | 2118 |
| | 2 or more sensors (RV/CO ₂ /VOC) | -19,16 | E | 90 | 2141 |
| Type of ventilation unit: | | Balanced residential ventilation appliance with heat recovery | | | |
| Fan: | | EC - fan with infinitely variable control | | | |
| Type of heat exchanger: | | Recuperative plastic cross-counterflow heat exchanger | | | |
| Thermal efficiency | | 92 % | | | |
| Maximum flow rate: | | 400 m ³ /h | | | |
| Maximum rated power: | | 178 W | | | |
| Sound power level Lwa: | | 50 dB(A) | | | |
| Reference flow rate: | | 280 m ³ /h | | | |
| Reference pressure: | | 50 Pa | | | |
| Specific Power Input (SEL): | | 0,17 Wh/m ³ | | | |
| Control factor: | | 1.0 in combination with multiple switch | | | |
| | | 0.95 in combination with clock control | | | |
| | | 0.85 in combination with 1 sensor | | | |
| | | 0.65 in combination with 2 or more sensors | | | |
| Leakage* | Internal | 0.6 % | | | |
| | External | 0.9 % | | | |
| Position dirty filter indication: | | On the display of the appliance / on the multiple switch (LED) / on the Brink Air Control. Attention! For optimal energy efficiency and a proper operation, a regular filter inspection, cleaning or replacement is necessary. | | | |
| Internet address for Assembly instructions: | | https://www.brinkclimatesystems.nl/support/downloads | | | |
| Bypass: | | Yes, 100% Bypass | | | |

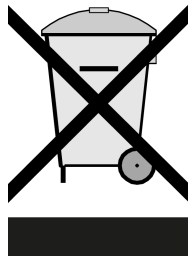
* Measurements executed by TZWL according to the EN 13141-7 standard

| Classification from 1 January 2016 | |
|---|------------------------------|
| SEC class ("Average climate zone") | SEC in kWh/m ² /a |
| A+ (Most efficient) | SEC < -42 |
| A | -42 ≤ SEC < -34 |
| B | -34 ≤ SEC < -26 |
| C | -26 ≤ SEC < -23 |
| D | -23 ≤ SEC < -20 |
| G (Least efficient) | -20 ≤ SEC < -10 |

6 Recycling

Recycling

Sustainable materials are used in the manufacture of this appliance. The packaging should be disposed of in a responsible manner and in accordance with governmental regulations.





Air for life

Brink Climate Systems B.V.

Wethouder Wassebaliestraat 8, NL-7951SN Staphorst

T: +31 (0) 522 46 99 44

E. info@brinkclimatesystems.nl

www.brinkclimatesystems.nl